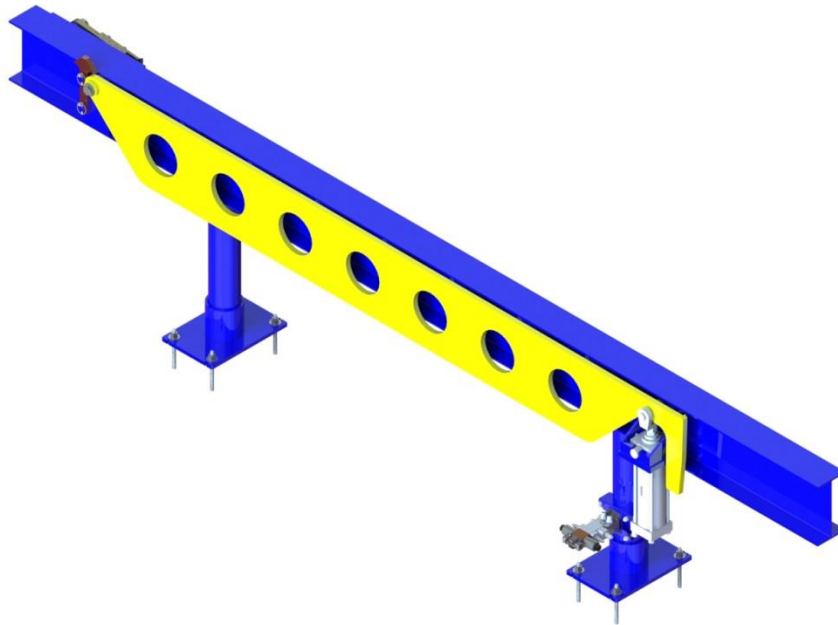


# HUB CITY IRON WORKS Preloading Machine

## Operation and Maintenance Manual



Hub City Iron Works  
700 E Texas Ave.  
Rayne, LA 70578  
Phone: (337) 334-6969  
Fax: (337) 365-6565  
www.hubcityironworks.com

Customer: \_\_\_\_\_  
Location: \_\_\_\_\_  
Serial #: \_\_\_\_\_  
Job#: \_\_\_\_\_  
Local Rep: \_\_\_\_\_  
Rep Phone: \_\_\_\_\_

## Table of Contents

Introduction .....	3
Safety .....	3
Machine Specifications .....	4
Standard Features .....	4
Optional Features .....	4
Specifications .....	4
Pipe Plant Requirements .....	4
Controls .....	5
Parts List .....	6
Preloader Assembly .....	6
Valve Stack Assembly .....	7
Kicker Station (If equipped) .....	8

### **Service**

Call: 337.334.6969

Email: [servicerequest@hubcityironworks.com](mailto:servicerequest@hubcityironworks.com)

### **Spare Parts**

Call: 337.334.6969

Visit: [www.hubcityironworks.com](http://www.hubcityironworks.com)

### **Sales**

Call: 337.334.6969

Email: [sales@hubcityironworks.com](mailto:sales@hubcityironworks.com)

## Introduction

### Preloading Machine

Hub City's Preloading Machine is designed as a complimentary device to various Pipe Cleaning Machines. By mechanizing the process of rolling the pipe to the index point of a cleaning machine, the Preloader simplifies and automates the process. By eliminating operator contact with pipe, the safety factor is also increased. A typical layout next to a 7625 Pipe Cleaning Machine is shown below.



## Safety

Hub City has provided operating procedures and safety information to ensure the wellbeing of both the operator and the equipment.

This operating manual contains important safety information - please read it thoroughly.

### Safety Features Include:

- Mechanically active components are painted safety yellow.
- Safety guards
- Equipment safety labels.

## Machine Specifications

### Standard Features

- Range II pipe (2 Preloader stations)
- Hydraulic cylinder
- Leg mounted hydraulic valve stack

### Optional Features

- Range III pipe (3 Preloader stations)
- Pipe Collaring Kicker Station (Kicks pipe over index stop) (Shown below)



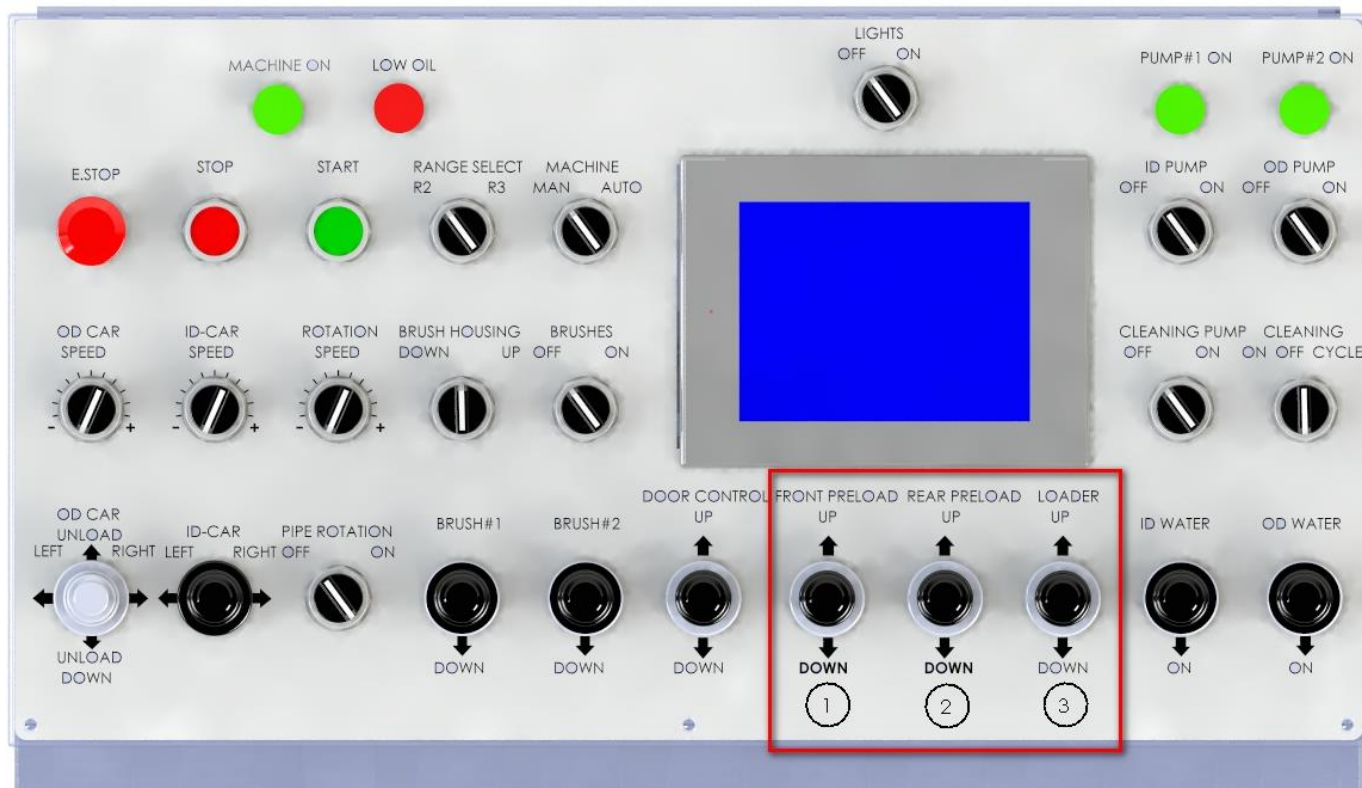
### Specifications

- Dimensions
  - Length: Varies depending on size (Typically 6' to 12')
  - Shipping Weight: Approximately 550 lbs per station (Varies depending on size)
- Capacity: 10,000 lbs per loading station

### Pipe Plant Requirements

Typically ties into existing hydraulic power supply. For custom installations, contact Hub City Iron Works.

## Controls



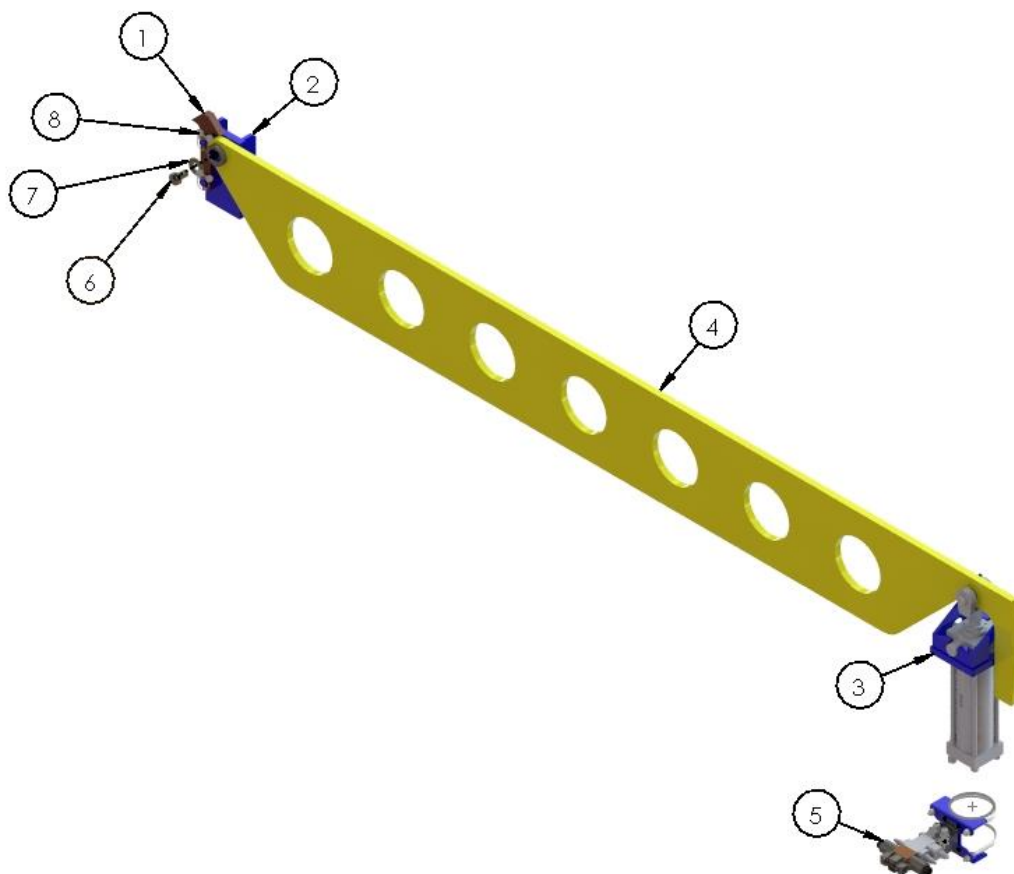
*Shown above is a typical layout for an XPCM cleaning machine (Preloader Controls are boxed in red)*

	<u>Function</u>	<u>Description</u>
1	Front Preloader Up/Down	Moves Preloader Up or Down
2	Rear Preloader Up/Down	Moves Preloader Up or Down
3	Loader Up/Down	Moves Loader (Kicker Station) Up or Down

Parts List

Preloader Assembly

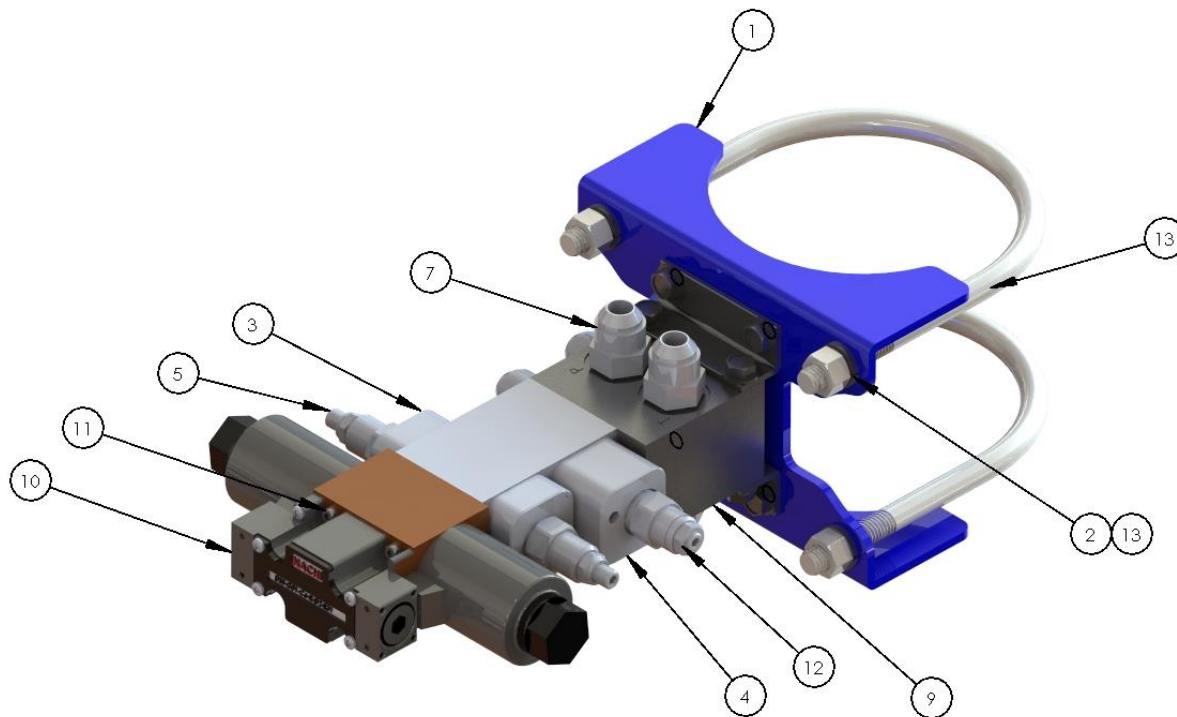
Revision: A



Item #	Part	Description	Quantity
1	011-100-051-019	PIPE STOP	1
2	011-700-011-00	HINGE PLATE FAB ASSEMBLY	1
3	36071	SHEFFER, 4HHTF13	1
4	011-701-019-00/ 011-701-047-00	ARM MECH ASSEMBLY, 12' ARM MECH ASSEMBLY, 6'	1
5	011-701-043-00	VLV STK, (PRE)LOADER C.B. F.C.	1
6	14410	BOLT, HHCS, 1" X 1.50" NC GR5	1
7	17652	WASHER, FLAT, 1"	1
8	36251	5/16 Lynch Pin.	2

## Valve Stack Assembly

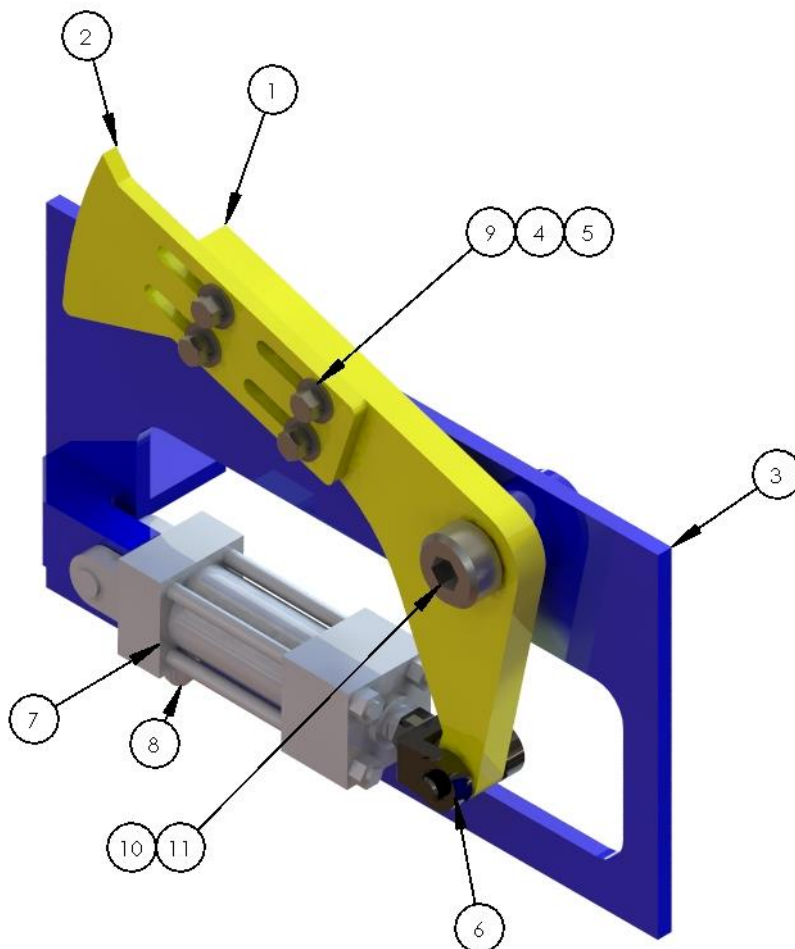
Revision: A



Item #	Part	Description	Quantity
1	004-202-006-018	LEG, VALVE STACK BRACE	1
2	14140	WASHER, LOCK, .50"	4
3	14754	BODY, GBY	1
4	14757	BODY, EBA	1
5	14765	CARTRIDGE, NCCB-LCN, FLOW CONTROL	2
6	15752	#8 MSAE X #10 MJIC ADAPTOR	2
7	15770	# 10 MSAE X # 10 MJIC ADAPTOR	2
8	15786	#10 MSAE O-RING PLUG	2
9	16367	MANIFOLD, AD03P012S	1
10	17600	VALVE, HYD, SS-G01-C6-R-D2-E31	1
11	22386	BOLT, SHCS, #10-24 X 5.5"	4
12	24159	CARTRIDGE, CBCA-LHN ADJ 1000 - 4000 PSI	1
13	27539	U-BOLT, 5.625" O.D., 1/2"-13 X 2" THD. (3043T2)	2

**Kicker Station (If equipped)**

Revision: A



Item #	Part	Description	Quantity
1	126-100-006-018	KICKER ARM	1
2	126-100-014-018	KICKER ARM, EXTENSION	1
3	126-700-002-00	FRAME	1
4	14140	WASHER, LOCK, .50"	4
5	14311	BOLT, HHCS, .50" X 1.75" NC GR5	4
6	14829	.75" CLEVIS	1
7	15129	Hydraulic Cylinder	1
8	15770	# 10 MSAE X # 10 MJIC	2
9	17649	WASHER, FLAT, .50"	4
10	44761	1.5" FLANGED SLEEVE BUSHING	1
11	44762	Bolt, Shoulder, 1.5" x 1.75"	1